



Conducto modular metálico con resistencia al fuego EI120 para ventilación de doble pared fabricado en acero inoxidable interior y exterior.

MATERIAL

Pared Interior: Acero inoxidable
Pared Exterior: Acero inoxidable

ACABADO EXTERIOR

Brillante
Exterior galvanizado/zincado: (sólo tramos rectos y desviaciones).
11% descuento en exterior galva.

Acabado galvanizado/zinc no apto para instalacion exterior.

AISLAMIENTO

Aislamiento mineral de alta densidad de 100 mm de espesor

ESPEORES (mm)

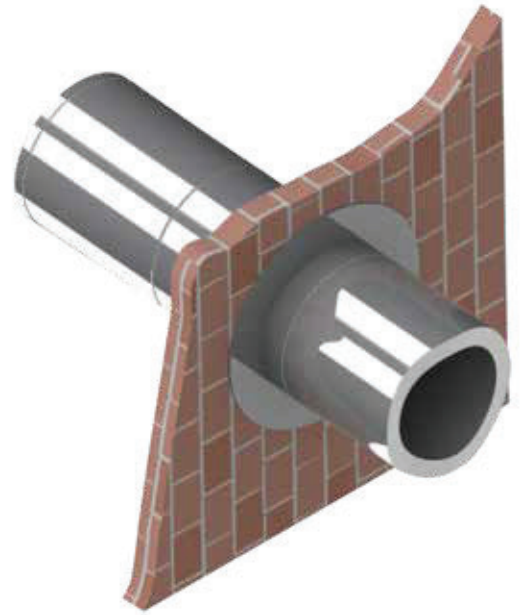
Pared interior: 0,4 - 0,5 - 0,6 - 0,8 (según diámetro)
Aislamiento: 100 mm
Pared exterior: 0,4 - 0,5 - 0,6 - 0,8 (según diámetro)

DIÁMETROS DISPONIBLES (mm)

Ø130 a Ø800

SISTEMA DE UNIÓN

Conexión macho-hembra con **abrazadera de unión ancha (2.0)**



*Sólo con junta



APLICACIONES

- Sectorización de zonas de incendio de riesgo alto
- Grupos electrógenos (*consultar opciones con menores aislamientos*)



CARACTERÍSTICAS

- **Estanqueidad clase C según norma UNE-EN 12237** con la instalación de juntas de estanqueidad
- **Soldadura TIG/LASER** en continuo en todas las piezas
- **Abrazadera de unión incluida (excepto terminales)**

CLASIFICACIONES EI (UNE-EN 13501-3)

EI 120 (ve i → o)
EI 120 (ho i → o)
EI 240 (o → i)
EI240 ho (i → o)



Módulo recto 1000mm



Módulo recto 500mm



Módulo recto 250mm

Módulo recto regulable
400-560mmMódulo recto regulable
560-920mm

Ø150	BTI-DWFT130150	482€	Ø150	BTI-DWFT140150	316€	Ø150	BTI-DWFT150150	227€	Ø150	BTI-DWFT5440150	440€	Ø150	BTI-DWFT5450150	655€
Ø180	BTI-DWFT130180	545€	Ø180	BTI-DWFT140180	368€	Ø180	BTI-DWFT150180	262€	Ø180	BTI-DWFT5440180	514€	Ø180	BTI-DWFT5450180	707€
Ø200	BTI-DWFT130200	676€	Ø200	BTI-DWFT140200	451€	Ø200	BTI-DWFT150200	321€	Ø200	BTI-DWFT5440200	626€	Ø200	BTI-DWFT5450200	848€
Ø250	BTI-DWFT130250	844€	Ø250	BTI-DWFT140250	546€	Ø250	BTI-DWFT150250	391€	Ø250	BTI-DWFT5440250	773€	Ø250	BTI-DWFT5450250	1041€
Ø300	BTI-DWFT130300	886€	Ø300	BTI-DWFT140300	600€	Ø300	BTI-DWFT150300	432€	Ø300	BTI-DWFT5440300	818€	Ø300	BTI-DWFT5450300	1266€
Ø350	BTI-DWFT130350	942€	Ø350	BTI-DWFT140350	638€	Ø350	BTI-DWFT150350	494€	Ø350	BTI-DWFT5440350	905€	Ø350	BTI-DWFT5450350	1342€
Ø400	BTI-DWFT130400	997€	Ø400	BTI-DWFT140400	715€	Ø400	BTI-DWFT150400	563€	Ø400	BTI-DWFT5440400	1033€	Ø400	BTI-DWFT5450400	1470€
Ø450	BTI-DWFT130450	1101€	Ø450	BTI-DWFT140450	764€	Ø450	BTI-DWFT150450	636€	Ø450	BTI-DWFT5440450	1146€	Ø450	BTI-DWFT5450450	1557€
Ø500	BTI-DWFT130500	1242€	Ø500	BTI-DWFT140500	827€	Ø500	BTI-DWFT150500	732€	Ø500	BTI-DWFT5440500	1268€	Ø500	BTI-DWFT5450500	1706€
Ø550	BTI-DWFT130550	1372€	Ø550	BTI-DWFT140550	1040€	Ø550	BTI-DWFT150550	804€	Ø550	BTI-DWFT5440550	1300€	Ø550	BTI-DWFT5450550	1708€
Ø600	BTI-DWFT130600	1443€	Ø600	BTI-DWFT140600	1057€	Ø600	BTI-DWFT150600	868€	Ø600	BTI-DWFT5440600	1366€	Ø600	BTI-DWFT5450600	1959€
Ø650	BTI-DWFT130650	1565€	Ø650	BTI-DWFT140650	1147€	Ø650	BTI-DWFT150650	942€	Ø650	BTI-DWFT5440650	1483€	Ø650	BTI-DWFT5450650	2121€
Ø700	BTI-DWFT130700	1687€	Ø700	BTI-DWFT140700	1237€	Ø700	BTI-DWFT150700	1014€	Ø700	BTI-DWFT5440700	1601€	Ø700	BTI-DWFT5450700	2286€
Ø750	BTI-DWFT130750	1786€	Ø750	BTI-DWFT140750	1313€	Ø750	BTI-DWFT150750	1077€	Ø750	BTI-DWFT5440750	1695€	Ø750	BTI-DWFT5450750	2425€
Ø800	BTI-DWFT130800	1999€	Ø800	BTI-DWFT140800	1469€	Ø800	BTI-DWFT150800	1204€	Ø800	BTI-DWFT5440800	1896€	Ø800	BTI-DWFT5450800	2714€



Codo 15°



Codo 30°



Codo 45°



Codo 60°



Codo 90°

Ø150	BTI-DWFT160150	302€	Ø150	BTI-DWFT170150	302€	Ø150	BTI-DWFT180150	302€	Ø150	BTI-DWFT840150	375€	Ø150	BTI-DWFT600150	435€
Ø180	BTI-DWFT160180	354€	Ø180	BTI-DWFT170180	354€	Ø180	BTI-DWFT180180	354€	Ø180	BTI-DWFT840180	433€	Ø180	BTI-DWFT600180	498€
Ø200	BTI-DWFT160200	430€	Ø200	BTI-DWFT170200	430€	Ø200	BTI-DWFT180200	430€	Ø200	BTI-DWFT840200	531€	Ø200	BTI-DWFT600200	611€
Ø250	BTI-DWFT160250	515€	Ø250	BTI-DWFT170250	515€	Ø250	BTI-DWFT180250	515€	Ø250	BTI-DWFT840250	657€	Ø250	BTI-DWFT600250	759€
Ø300	BTI-DWFT160300	537€	Ø300	BTI-DWFT170300	537€	Ø300	BTI-DWFT180300	537€	Ø300	BTI-DWFT840300	718€	Ø300	BTI-DWFT600300	835€
Ø350	BTI-DWFT160350	618€	Ø350	BTI-DWFT170350	618€	Ø350	BTI-DWFT180350	618€	Ø350	BTI-DWFT840350	766€	Ø350	BTI-DWFT600350	888€
Ø400	BTI-DWFT160400	776€	Ø400	BTI-DWFT170400	776€	Ø400	BTI-DWFT180400	776€	Ø400	-	-	Ø400	-	-
Ø450	BTI-DWFT160450	1137€	Ø450	BTI-DWFT170450	1137€	Ø450	BTI-DWFT180450	1137€	Ø450	-	-	Ø450	-	-
Ø500	BTI-DWFT160500	1335€	Ø500	BTI-DWFT170500	1335€	Ø500	BTI-DWFT180500	1335€	Ø500	-	-	Ø500	-	-
Ø550	BTI-DWFT160550	1808€	Ø550	BTI-DWFT170550	1808€	Ø550	BTI-DWFT180550	1808€	Ø550	-	-	Ø550	-	-
Ø600	BTI-DWFT160600	2003€	Ø600	BTI-DWFT170600	2003€	Ø600	BTI-DWFT180600	2003€	Ø600	-	-	Ø600	-	-
Ø650	BTI-DWFT160650	2170€	Ø650	BTI-DWFT170650	2170€	Ø650	BTI-DWFT180650	2170€	Ø650	-	-	Ø650	-	-
Ø700	BTI-DWFT160700	2336€	Ø700	BTI-DWFT170700	2336€	Ø700	BTI-DWFT180700	2336€	Ø700	-	-	Ø700	-	-
Ø750	BTI-DWFT160750	2478€	Ø750	BTI-DWFT170750	2478€	Ø750	BTI-DWFT180750	2478€	Ø750	-	-	Ø750	-	-
Ø800	BTI-DWFT160800	2775€	Ø800	BTI-DWFT170800	2775€	Ø800	BTI-DWFT180800	2775€	Ø800	-	-	Ø800	-	-



Sistema SV - FT EI120-240



Te 90°



Te 135°



Colector de hollín aislado



Colector de hollín con
desagüe aislado



Módulo de inspección con
tapa 200 Pa (P1)

Ø150	BTI-DWFT3170150	634€	Ø150	BTI-DWFT120150	971€	Ø150	825-DWFT20330150	236€	Ø150	825-DWFT14600150	267€	Ø150	BTI-DWFT5490150	540€
Ø180	BTI-DWFT3170180	748€	Ø180	BTI-DWFT120180	1163€	Ø180	825-DWFT20330180	256€	Ø180	825-DWFT14600180	286€	Ø180	BTI-DWFT5490180	569€
Ø200	BTI-DWFT3170200	925€	Ø200	BTI-DWFT120200	1381€	Ø200	825-DWFT20330200	315€	Ø200	825-DWFT14600200	345€	Ø200	BTI-DWFT5490200	597€
Ø250	BTI-DWFT3170250	1147€	Ø250	BTI-DWFT120250	1716€	Ø250	825-DWFT20330250	328€	Ø250	825-DWFT14600250	389€	Ø250	BTI-DWFT5490250	638€
Ø300	BTI-DWFT3170300	1266€	Ø300	BTI-DWFT120300	1883€	Ø300	825-DWFT20330300	337€	Ø300	825-DWFT14600300	511€	Ø300	BTI-DWFT5490300	695€
Ø350	BTI-DWFT3170350	1336€	Ø350	BTI-DWFT120350	1993€	Ø350	825-DWFT20330350	344€	Ø350	825-DWFT14600350	497€	Ø350	BTI-DWFT5490350	746€
Ø400	BTI-DWFT3170400	1669€	Ø400	BTI-DWFT120400	2780€	Ø400	825-DWFT20330400	348€	Ø400	825-DWFT14600400	502€	Ø400	BTI-DWFT5490400	1054€
Ø450	BTI-DWFT3170450	1938€	Ø450	BTI-DWFT120450	3021€	Ø450	825-DWFT20330450	396€	Ø450	825-DWFT14600450	600€	Ø450	BTI-DWFT5490450	1146€
Ø500	BTI-DWFT3170500	2391€	Ø500	BTI-DWFT120500	3261€	Ø500	825-DWFT20330500	502€	Ø500	825-DWFT14600500	774€	Ø500	BTI-DWFT5490500	1215€
Ø550	BTI-DWFT3170550	2527€	Ø550	BTI-DWFT120550	3903€	Ø550	825-DWFT20330550	568€	Ø550	825-DWFT14600550	900€	Ø550	BTI-DWFT5490550	1287€
Ø600	BTI-DWFT3170600	2907€	Ø600	BTI-DWFT120600	4041€	Ø600	825-DWFT20330600	676€	Ø600	825-DWFT14600600	876€	Ø600	BTI-DWFT5490600	1366€
Ø650	BTI-DWFT3170650	3151€	Ø650	BTI-DWFT120650	4379€	Ø650	825-DWFT20330650	696€	Ø650	825-DWFT14600650	946€	Ø650	BTI-DWFT5490650	1533€
Ø700	BTI-DWFT3170700	3397€	Ø700	BTI-DWFT120700	4719€	Ø700	825-DWFT20330700	710€	Ø700	825-DWFT14600700	1018€	Ø700	BTI-DWFT5490700	1653€
Ø750	BTI-DWFT3170750	3602€	Ø750	BTI-DWFT120750	5001€	Ø750	825-DWFT20330750	752€	Ø750	825-DWFT14600750	1077€	Ø750	BTI-DWFT5490750	1729€
Ø800	BTI-DWFT3170800	4033€	Ø800	BTI-DWFT120800	5597€	Ø800	825-DWFT20330800	845€	Ø800	825-DWFT14600800	1209€	Ø800	BTI-DWFT5490800	1812€



Terminal salida libre



Terminal salida cónica



Terminal anti-lluvia



Terminal anti-viento



Terminal horizontal con
rejilla

Ø150	BTI-DWFT320150	184€	Ø150	BTI-DWFT32C0150	213€	Ø150	BTI-DWFT5260150	259€	Ø150	BTI-DWFT5270150	370€	Ø150	BTI-DWFT5320150	256€
Ø180	BTI-DWFT320180	216€	Ø180	BTI-DWFT32C0180	246€	Ø180	BTI-DWFT5260180	297€	Ø180	BTI-DWFT5270180	428€	Ø180	BTI-DWFT5320180	295€
Ø200	BTI-DWFT320200	266€	Ø200	BTI-DWFT32C0200	308€	Ø200	BTI-DWFT5260200	364€	Ø200	BTI-DWFT5270200	524€	Ø200	BTI-DWFT5320200	367€
Ø250	BTI-DWFT320250	329€	Ø250	BTI-DWFT32C0250	378€	Ø250	BTI-DWFT5260250	454€	Ø250	BTI-DWFT5270250	647€	Ø250	BTI-DWFT5320250	454€
Ø300	BTI-DWFT320300	363€	Ø300	BTI-DWFT32C0300	417€	Ø300	BTI-DWFT5260300	504€	Ø300	BTI-DWFT5270300	715€	Ø300	BTI-DWFT5320300	493€
Ø350	BTI-DWFT320350	384€	Ø350	BTI-DWFT32C0350	439€	Ø350	BTI-DWFT5260350	531€	Ø350	BTI-DWFT5270350	754€	Ø350	BTI-DWFT5320350	562€
Ø400	BTI-DWFT320400	480€	Ø400	BTI-DWFT32C0400	548€	Ø400	BTI-DWFT5260400	664€	Ø400	BTI-DWFT5270400	785€	Ø400	BTI-DWFT5320400	623€
Ø450	BTI-DWFT320450	534€	Ø450	BTI-DWFT32C0450	611€	Ø450	BTI-DWFT5260450	983€	Ø450	-	-	Ø450	BTI-DWFT5320450	941€
Ø500	BTI-DWFT320500	610€	Ø500	BTI-DWFT32C0500	696€	Ø500	BTI-DWFT5260500	997€	Ø500	-	-	Ø500	BTI-DWFT5320500	1029€
Ø550	BTI-DWFT320550	626€	Ø550	BTI-DWFT32C0550	718€	Ø550	BTI-DWFT5260550	1123€	Ø550	-	-	Ø550	BTI-DWFT5320550	1412€
Ø600	BTI-DWFT320600	646€	Ø600	BTI-DWFT32C0600	738€	Ø600	BTI-DWFT5260600	1142€	Ø600	-	-	Ø600	BTI-DWFT5320600	1473€
Ø650	BTI-DWFT320650	662€	Ø650	BTI-DWFT32C0650	755€	Ø650	-	-	Ø650	-	-	Ø650	BTI-DWFT5320650	1596€
Ø700	BTI-DWFT320700	712€	Ø700	BTI-DWFT32C0700	817€	Ø700	-	-	Ø700	-	-	Ø700	BTI-DWFT5320700	1720€
Ø750	BTI-DWFT320750	761€	Ø750	BTI-DWFT32C0750	869€	Ø750	-	-	Ø750	-	-	Ø750	BTI-DWFT5320750	1822€
Ø800	BTI-DWFT320800	849€	Ø800	BTI-DWFT32C0800	967€	Ø800	-	-	Ø800	-	-	Ø800	BTI-DWFT5320800	2035€



Terminal JET



Adaptador doble a simple



Adaptador simple a doble



Soporte de carga regulable



Pasamuros EI

Ø150	BTI-DWFT340150	1058€	Ø150	BTI-DWFT37A0150	120€	Ø150	BTI-DWFT370150	120€	Ø150	BTI-DWFT3790150	509€	Ø150	BTI-DWFT43300150	685€
Ø180	BTI-DWFT340180	1166€	Ø180	BTI-DWFT37A0180	128€	Ø180	BTI-DWFT370180	128€	Ø180	BTI-DWFT3790180	595€	Ø180	BTI-DWFT43300180	744€
Ø200	BTI-DWFT340200	1196€	Ø200	BTI-DWFT37A0200	138€	Ø200	BTI-DWFT370200	138€	Ø200	BTI-DWFT3790200	727€	Ø200	BTI-DWFT43300200	797€
Ø250	BTI-DWFT340250	1444€	Ø250	BTI-DWFT37A0250	154€	Ø250	BTI-DWFT370250	154€	Ø250	BTI-DWFT3790250	899€	Ø250	BTI-DWFT43300250	902€
Ø300	BTI-DWFT340300	1913€	Ø300	BTI-DWFT37A0300	166€	Ø300	BTI-DWFT370300	166€	Ø300	BTI-DWFT3790300	988€	Ø300	BTI-DWFT43300300	1004€
Ø350	BTI-DWFT340350	2056€	Ø350	BTI-DWFT37A0350	185€	Ø350	BTI-DWFT370350	185€	Ø350	BTI-DWFT3790350	1050€	Ø350	BTI-DWFT43300350	1128€
Ø400	BTI-DWFT340400	2312€	Ø400	BTI-DWFT37A0400	193€	Ø400	BTI-DWFT370400	193€	Ø400	BTI-DWFT3790400	1310€	Ø400	BTI-DWFT43300400	1265€
Ø450	BTI-DWFT340450	2868€	Ø450	BTI-DWFT37A0450	249€	Ø450	BTI-DWFT370450	249€	Ø450	BTI-DWFT3790450	1461€	Ø450	BTI-DWFT43300450	1426€
Ø500	BTI-DWFT340500	3078€	Ø500	BTI-DWFT37A0500	320€	Ø500	BTI-DWFT370500	320€	Ø500	BTI-DWFT3790500	1669€	Ø500	BTI-DWFT43300500	1568€
Ø550	BTI-DWFT340550	3736€	Ø550	BTI-DWFT37A0550	386€	Ø550	BTI-DWFT370550	386€	Ø550	BTI-DWFT3790550	1858€	Ø550	BTI-DWFT43300550	1689€
Ø600	BTI-DWFT340600	4054€	Ø600	BTI-DWFT37A0600	394€	Ø600	BTI-DWFT370600	394€	Ø600	BTI-DWFT3790600	1938€	Ø600	BTI-DWFT43300600	1820€
Ø650	BTI-DWFT340650	4392€	Ø650	BTI-DWFT37A0650	428€	Ø650	BTI-DWFT370650	428€	Ø650	BTI-DWFT3790650	2101€	Ø650	BTI-DWFT43300650	1954€
Ø700	BTI-DWFT340700	4731€	Ø700	BTI-DWFT37A0700	465€	Ø700	BTI-DWFT370700	465€	Ø700	BTI-DWFT3790700	2263€	Ø700	BTI-DWFT43300700	2088€
Ø750	BTI-DWFT340750	5012€	Ø750	BTI-DWFT37A0750	491€	Ø750	BTI-DWFT370750	491€	Ø750	BTI-DWFT3790750	2404€	Ø750	BTI-DWFT43300750	2241€
Ø800	BTI-DWFT340800	5614€	Ø800	BTI-DWFT37A0800	549€	Ø800	BTI-DWFT370800	549€	Ø800	BTI-DWFT3790800	2686€	Ø800	BTI-DWFT43300800	2364€



Abrazadera de unión 2.0



Abrazadera fijación pared regulable 50-80mm



Abrazadera fijación pared fija



Base de abrazadera distanciadora



Alas distanciadoras A

Ø150	665-ZUWA9890350	32.19€	Ø150	665-ZUWA5560350	63€	Ø150	-	-	Ø150	665-ZUWA14620350	175€	Ø150	665-ZUWA1462A	44.43€		
Ø180	665-ZUWA9890380	38.52€	Ø180	665-ZUWA5560380	80€	Ø180	-	-	Ø180	665-ZUWA14620380	209€	Ø180				
Ø200	665-ZUWA9890400	39.98€	Ø200	665-ZUWA5560400	83€	Ø200	-	-	Ø200	665-ZUWA14620400	227€	Ø200				
Ø250	665-ZUWA9890450	45.92€	Ø250	665-ZUWA5560450	92€	Ø250	-	-	Ø250	665-ZUWA14620450	281€	Ø250				
Ø300	665-ZUWA9890500	50€	Ø300	-	-	Ø300	665-ZUWA556F0500	116€	Ø300	665-ZUWA14620500	309€	Ø300				
Ø350	665-ZUWA9890550	54€	Ø350	-	-	Ø350	665-ZUWA556F0550	146€	Ø350	665-ZUWA14620550	344€	Ø350				
Ø400	665-ZUWA9890600	62€	Ø400	-	-	Ø400	665-ZUWA556F0600	175€	Ø400	665-ZUWA14620600	388€	Ø400				
Ø450	665-ZUWA9890650	69€	Ø450	-	-	Ø450	665-ZUWA556F0650	191€	Ø450	665-ZUWA14620650	418€	Ø450				
Ø500	665-ZUWA9890700	80€	Ø500	-	-	Ø500	665-ZUWA556F0700	249€	Ø500	665-ZUWA14620700	539€	Ø500				
Ø550	665-ZUWA9890750	94€	Ø550	-	-	Ø550	665-ZUWA556F0750	303€	Ø550	665-ZUWA14620750	553€	Ø550				
Ø600	665-ZUWA9890800	105€	Ø600	-	-	Ø600	665-ZUWA556F0800	338€	Ø600	665-ZUWA14620800	741€	Ø600				
Ø650	665-ZUWA9890850	113€	Ø650	-	-	Ø650	665-ZUWA556F0850	357€	Ø650	665-ZUWA14620850	789€	Ø650				
Ø700	665-ZUWA9890900	121€	Ø700	-	-	Ø700	665-ZUWA556F0900	381€	Ø700	665-ZUWA14620900	835€	Ø700				
Ø750	665-ZUWA9890950	131€	Ø750	-	-	Ø750	665-ZUWA556F0950	413€	Ø750	665-ZUWA14620950	906€	Ø750				
Ø800	665-ZUWA9891000	142€	Ø800	-	-	Ø800	665-ZUWA556F1000	446€	Ø800	665-ZUWA14621000	975€	Ø800				



Sistema SV - FT EI120-240



i

Alas distanciadoras B



i

Alas distanciadoras C



i

Alas distanciadoras D



Abrazadera de soporte



Abrazadera con doble pértiga telescópica L=2000mm

Ø150			Ø150			Ø150	665-ZUWA8580350	209€	Ø150	665-ZUWA1910350	235€
Ø180			Ø180			Ø180	665-ZUWA8580380	252€	Ø180	665-ZUWA1910380	256€
Ø200			Ø200			Ø200	665-ZUWA8580400	254€	Ø200	665-ZUWA1910400	256€
Ø250			Ø250			Ø250	665-ZUWA8580450	303€	Ø250	665-ZUWA1910450	358€
Ø300			Ø300			Ø300	665-ZUWA8580500	334€	Ø300	665-ZUWA1910500	468€
Ø350			Ø350			Ø350	665-ZUWA8580550	378€	Ø350	665-ZUWA1910550	610€
Ø400			Ø400			Ø400	665-ZUWA8580600	428€	Ø400	665-ZUWA1910600	659€
Ø450	665-ZUWA1462B	61€	Ø450	665-ZUWA1462C	77€	Ø450	665-ZUWA1462D	98€	Ø450	665-ZUWA1910650	722€
Ø500			Ø500			Ø500	665-ZUWA8580700	600€	Ø500	665-ZUWA1910700	821€
Ø550			Ø550			Ø550	665-ZUWA8580750	735€	Ø550	665-ZUWA1910750	920€
Ø600			Ø600			Ø600	665-ZUWA8580800	820€	Ø600	665-ZUWA1910800	1062€
Ø650			Ø650			Ø650	665-ZUWA8580850	876€	Ø650	665-ZUWA1910850	1130€
Ø700			Ø700			Ø700	665-ZUWA8580900	927€	Ø700	665-ZUWA1910900	1194€
Ø750			Ø750			Ø750	665-ZUWA8580950	1005€	Ø750	665-ZUWA1910950	1301€
Ø800			Ø800			Ø800	665-ZUWA8581000	1086€	Ø800	665-ZUWA1911000	1405€



Abrazadera forjado inox



Abrazadera vientos



Collarín antitormenta



i

Cubreaguas 25°-45° aluminio



i

Cubreaguas 5°-25° aluminio

Ø150	665-ZUWA620350	62€	Ø150	665-ZUWA420350	35.28€	Ø150	665-ZUWA3070350	73€	Ø150	665-ZUWA939AL0350	365€	Ø150	665-ZUWA938AL0350	331€
Ø180	665-ZUWA620380	70€	Ø180	665-ZUWA420380	38.52€	Ø180	665-ZUWA3070380	79€	Ø180	665-ZUWA939AL0380	408€	Ø180	665-ZUWA938AL0380	368€
Ø200	665-ZUWA620400	70€	Ø200	665-ZUWA420400	38.52€	Ø200	665-ZUWA3070400	79€	Ø200	665-ZUWA939AL0400	408€	Ø200	665-ZUWA938AL0400	368€
Ø250	665-ZUWA620450	79€	Ø250	665-ZUWA420450	52€	Ø250	665-ZUWA3070450	108€	Ø250	665-ZUWA939AL0450	464€	Ø250	665-ZUWA938AL0450	411€
Ø300	665-ZUWA620500	90€	Ø300	665-ZUWA420500	70€	Ø300	665-ZUWA3070500	143€	Ø300	665-ZUWA939AL0500	517€	Ø300	665-ZUWA938AL0500	460€
Ø350	665-ZUWA620550	97€	Ø350	665-ZUWA420550	92€	Ø350	665-ZUWA3070550	187€	Ø350	665-ZUWA939AL0550	572€	Ø350	665-ZUWA938AL0550	494€
Ø400	665-ZUWA620600	103€	Ø400	665-ZUWA420600	100€	Ø400	665-ZUWA3070600	199€	Ø400	665-ZUWA939AL0600	623€	Ø400	665-ZUWA938AL0600	540€
Ø450	665-ZUWA620650	109€	Ø450	665-ZUWA420650	108€	Ø450	665-ZUWA3070650	220€	Ø450	665-ZUWA939AL0650	688€	Ø450	665-ZUWA938AL0650	583€
Ø500	665-ZUWA620700	115€	Ø500	665-ZUWA420700	143€	Ø500	665-ZUWA3070700	252€	Ø500	665-ZUWA939AL0700	792€	Ø500	665-ZUWA938AL0700	640€
Ø550	665-ZUWA620750	122€	Ø550	665-ZUWA420750	175€	Ø550	665-ZUWA3070750	279€	Ø550	665-ZUWA939AL0750	885€	Ø550	665-ZUWA938AL0750	694€
Ø600	665-ZUWA620800	128€	Ø600	665-ZUWA420800	192€	Ø600	665-ZUWA3070800	323€	Ø600	665-ZUWA939AL0800	1058€	Ø600	665-ZUWA938AL0800	829€
Ø650	-	-	Ø650	665-ZUWA420850	206€	Ø650	665-ZUWA3070850	344€	Ø650	665-ZUWA939AL0850	1198€	Ø650	665-ZUWA938AL0850	956€
Ø700	-	-	Ø700	665-ZUWA420900	218€	Ø700	665-ZUWA3070900	365€	Ø700	665-ZUWA939AL0900	1271€	Ø700	665-ZUWA938AL0900	1037€
Ø750	-	-	Ø750	665-ZUWA420950	235€	Ø750	665-ZUWA3070950	393€	Ø750	665-ZUWA939AL0950	1341€	Ø750	665-ZUWA938AL0950	1070€
Ø800	-	-	Ø800	665-ZUWA421000	254€	Ø800	665-ZUWA3071000	428€	Ø800	665-ZUWA939AL1000	1413€	Ø800	665-ZUWA938AL1000	1119€

i Necesario instalar collarín con el cubreaguas.
i Consultar página 91 para ver distancias de separación.



Cubreaguas plano inox

Cubreaguas plomo 0°-5°

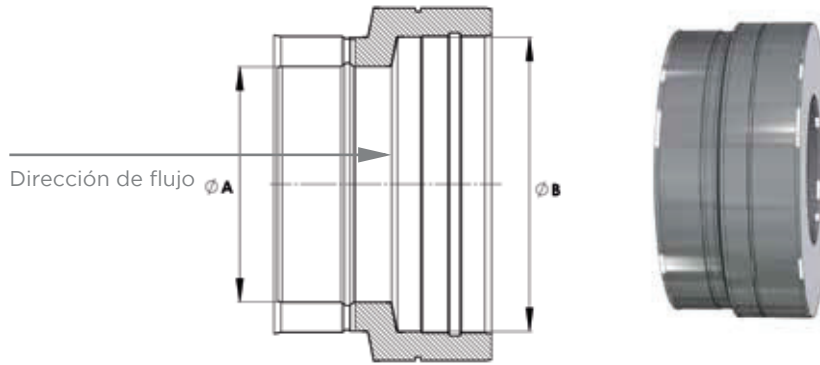
Cubreaguas plomo 25°-45°

Cubreaguas plomo 5°-25°

Ø150	665-ZUWA11280350	245€	Ø150	665-ZUWA9370350	340€	Ø150	665-ZUWA9390350	406€	Ø150	665-ZUWA9380350	340€
Ø180	665-ZUWA11280380	259€	Ø180	665-ZUWA9370380	364€	Ø180	665-ZUWA9390380	421€	Ø180	665-ZUWA9380380	364€
Ø200	665-ZUWA11280400	270€	Ø200	665-ZUWA9370400	373€	Ø200	665-ZUWA9390400	428€	Ø200	665-ZUWA9380400	373€
Ø250	665-ZUWA11280450	288€	Ø250	665-ZUWA9370450	404€	Ø250	665-ZUWA9390450	510€	Ø250	665-ZUWA9380450	404€
Ø300	665-ZUWA11280500	332€	Ø300	665-ZUWA9370500	460€	Ø300	665-ZUWA9390500	583€	Ø300	665-ZUWA9380500	460€
Ø350	665-ZUWA11280550	367€	Ø350	665-ZUWA9370550	508€	Ø350	665-ZUWA9390550	651€	Ø350	665-ZUWA9380550	508€
Ø400	665-ZUWA11280600	412€	Ø400	665-ZUWA9370600	571€	Ø400	665-ZUWA9390600	730€	Ø400	665-ZUWA9380600	571€
Ø450	665-ZUWA11280650	464€	Ø450	665-ZUWA9370650	645€	Ø450	665-ZUWA9390650	819€	Ø450	665-ZUWA9380650	645€
Ø500	665-ZUWA11280700	519€	Ø500	665-ZUWA9370700	719€	Ø500	665-ZUWA9390700	916€	Ø500	665-ZUWA9380700	719€
Ø550	665-ZUWA11280750	553€	Ø550	665-ZUWA9370750	768€	Ø550	665-ZUWA9390750	975€	Ø550	665-ZUWA9380750	768€
Ø600	665-ZUWA11280800	579€	Ø600	665-ZUWA9370800	801€	Ø600	665-ZUWA9390800	1019€	Ø600	665-ZUWA9380800	801€
Ø650	665-ZUWA11280850	615€	Ø650	665-ZUWA9370850	850€	Ø650	665-ZUWA9390850	1084€	Ø650	665-ZUWA9380850	850€
Ø700	665-ZUWA11280900	649€	Ø700	665-ZUWA9370900	900€	Ø700	665-ZUWA9390900	1146€	Ø700	665-ZUWA9380900	900€
Ø750	665-ZUWA11280950	707€	Ø750	665-ZUWA9370950	978€	Ø750	665-ZUWA9390950	1243€	Ø750	665-ZUWA9380950	978€
Ø800	665-ZUWA11281000	760€	Ø800	665-ZUWA9371000	1057€	Ø800	665-ZUWA9391000	1343€	Ø800	665-ZUWA9381000	1057€



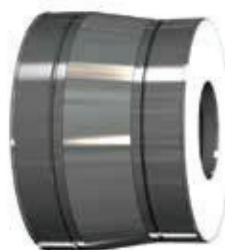
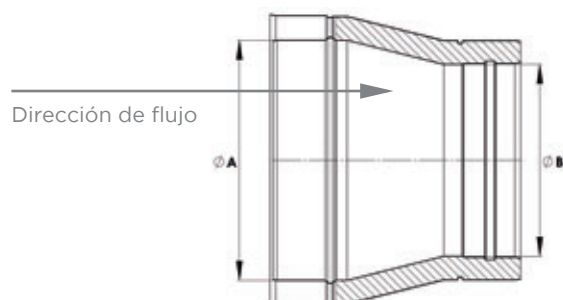
AMPLIACIÓN



CÓDIGO	Ø A	Ø B	€
BT1-DWFTA01000150	Ø100	Ø150	196€
BT1-DWFTA01000180	Ø100	Ø180	246€
BT1-DWFTA01000200	Ø100	Ø200	320€
BT1-DWFTA01300150	Ø130	Ø150	179€
BT1-DWFTA01300180	Ø130	Ø180	238€
BT1-DWFTA01300200	Ø130	Ø200	308€
BT1-DWFTA01300250	Ø130	Ø250	402€
BT1-DWFTA01300300	Ø130	Ø300	484€
BT1-DWFTA01500180	Ø150	Ø180	216€
BT1-DWFTA01500250	Ø150	Ø250	383€
BT1-DWFTA01500300	Ø150	Ø300	462€
BT1-DWFTA01500350	Ø150	Ø350	575€
BT1-DWFTA01800250	Ø180	Ø250	367€
BT1-DWFTA01800300	Ø180	Ø300	445€
BT1-DWFTA01800350	Ø180	Ø350	553€
BT1-DWFTA01800400	Ø180	Ø400	701€
BT1-DWFTA02000250	Ø200	Ø250	335€
BT1-DWFTA02000300	Ø200	Ø300	422€
BT1-DWFTA02000350	Ø200	Ø350	530€
BT1-DWFTA02000400	Ø200	Ø400	678€
BT1-DWFTA02000450	Ø200	Ø450	955€
BT1-DWFTA02500300	Ø250	Ø300	386€
BT1-DWFTA02500350	Ø250	Ø350	507€
BT1-DWFTA02500400	Ø250	Ø400	647€
BT1-DWFTA02500450	Ø250	Ø450	912€
BT1-DWFTA02500500	Ø250	Ø500	1082€
BT1-DWFTA03000350	Ø300	Ø350	464€
BT1-DWFTA03000400	Ø300	Ø400	620€
BT1-DWFTA03000450	Ø300	Ø450	878€
BT1-DWFTA03000500	Ø300	Ø500	1038€
BT1-DWFTA03000550	Ø300	Ø550	1141€
BT1-DWFTA03500400	Ø350	Ø400	563€
BT1-DWFTA03500450	Ø350	Ø450	843€

BT1-DWFTA03500500	Ø350	Ø500	996€
BT1-DWFTA03500550	Ø350	Ø550	1100€
BT1-DWFTA03500600	Ø350	Ø600	1394€
BT1-DWFTA04000450	Ø400	Ø450	767€
BT1-DWFTA04000500	Ø400	Ø500	956€
BT1-DWFTA04000550	Ø400	Ø550	1055€
BT1-DWFTA04000600	Ø400	Ø600	1339€
BT1-DWFTA04000650	Ø400	Ø650	1744€
BT1-DWFTA04500500	Ø450	Ø500	867€
BT1-DWFTA04500550	Ø450	Ø550	1007€
BT1-DWFTA04500600	Ø450	Ø600	1284€
BT1-DWFTA04500650	Ø450	Ø650	1672€
BT1-DWFTA04500700	Ø450	Ø700	1833€
BT1-DWFTA05000550	Ø500	Ø550	918€
BT1-DWFTA05000600	Ø500	Ø600	1230€
BT1-DWFTA05000650	Ø500	Ø650	1605€
BT1-DWFTA05000700	Ø500	Ø700	1765€
BT1-DWFTA05000750	Ø500	Ø750	1944€
BT1-DWFTA05500600	Ø550	Ø600	1123€
BT1-DWFTA05500650	Ø550	Ø650	1538€
BT1-DWFTA05500700	Ø550	Ø700	1690€
BT1-DWFTA05500750	Ø550	Ø750	1868€
BT1-DWFTA05500800	Ø550	Ø800	2176€
BT1-DWFTA06000650	Ø600	Ø650	1400€
BT1-DWFTA06000700	Ø600	Ø700	1618€
BT1-DWFTA06000750	Ø600	Ø750	1791€
BT1-DWFTA06000800	Ø600	Ø800	2091€
BT1-DWFTA06500700	Ø650	Ø700	1473€
BT1-DWFTA06500750	Ø650	Ø750	1715€
BT1-DWFTA06500800	Ø650	Ø800	2005€
BT1-DWFTA07000750	Ø700	Ø750	1563€
BT1-DWFTA07000800	Ø700	Ø800	1921€
BT1-DWFTA07500800	Ø750	Ø800	1749€

REDUCCIÓN



CÓDIGO	Ø A	Ø B	€
BT1-DWFTR01800150	Ø180	Ø150	232€
BT1-DWFTR02000150	Ø200	Ø150	316€
BT1-DWFTR02000180	Ø200	Ø180	288€
BT1-DWFTR03000250	Ø300	Ø250	414€
BT1-DWFTR03500250	Ø350	Ø250	540€
BT1-DWFTR03500300	Ø350	Ø300	494€
BT1-DWFTR04000250	Ø400	Ø250	690€
BT1-DWFTR04000300	Ø400	Ø300	664€
BT1-DWFTR04000350	Ø400	Ø350	607€
BT1-DWFTR04500250	Ø450	Ø250	977€
BT1-DWFTR04500300	Ø450	Ø300	939€
BT1-DWFTR04500350	Ø450	Ø350	903€
BT1-DWFTR04500400	Ø450	Ø400	825€
BT1-DWFTR05000250	Ø500	Ø250	1154€
BT1-DWFTR05000300	Ø500	Ø300	1111€
BT1-DWFTR05000350	Ø500	Ø350	1067€
BT1-DWFTR05000400	Ø500	Ø400	1023€
BT1-DWFTR05000450	Ø500	Ø450	934€
BT1-DWFTR05500300	Ø550	Ø300	1221€
BT1-DWFTR05500350	Ø550	Ø350	1176€
BT1-DWFTR05500400	Ø550	Ø400	1130€
BT1-DWFTR05500450	Ø550	Ø450	1083€
BT1-DWFTR05500500	Ø550	Ø500	989€
BT1-DWFTR06000350	Ø600	Ø350	1492€

BT1-DWFTR06000400	Ø600	Ø400	1434€
BT1-DWFTR06000450	Ø600	Ø450	1376€
BT1-DWFTR06000500	Ø600	Ø500	1320€
BT1-DWFTR06000550	Ø600	Ø550	1204€
BT1-DWFTR06500400	Ø650	Ø400	1866€
BT1-DWFTR06500450	Ø650	Ø450	1791€
BT1-DWFTR06500500	Ø650	Ø500	1722€
BT1-DWFTR06500550	Ø650	Ø550	1651€
BT1-DWFTR06500600	Ø650	Ø600	1505€
BT1-DWFTR07000450	Ø700	Ø450	1960€
BT1-DWFTR07000500	Ø700	Ø500	1886€
BT1-DWFTR07000550	Ø700	Ø550	1808€
BT1-DWFTR07000600	Ø700	Ø600	1734€
BT1-DWFTR07000650	Ø700	Ø650	1584€
BT1-DWFTR07500500	Ø750	Ø500	2075€
BT1-DWFTR07500550	Ø750	Ø550	1999€
BT1-DWFTR07500600	Ø750	Ø600	1921€
BT1-DWFTR07500650	Ø750	Ø650	1841€
BT1-DWFTR07500700	Ø750	Ø700	1684€
BT1-DWFTR08000550	Ø800	Ø550	2327€
BT1-DWFTR08000600	Ø800	Ø600	2238€
BT1-DWFTR08000650	Ø800	Ø650	2151€
BT1-DWFTR08000700	Ø800	Ø700	2060€
BT1-DWFTR08000750	Ø800	Ø750	1886€